



Truly Low Glare

The VCL is the most efficient low-glare canopy fixture in the lighting industry. With unmatched visual comfort.

PRODUCT SPECIFICATIONS

CRI
82+

Color Temperatures
40K, 50K

Ambient Operating Temp
L1 Min -40°C, Max 49°C
L2 Min -40°C, Max 38°C
L3 Min -40°C, Max 13°C

Housing
5052-H32 Aluminum
Painted after fab (PAF)

Finish (Standard White)
Powder Coat, White

Certification UL, CUL, NSF,
DLC Pending, UL HAZ (Class 1, Div 2)

LED Module
Mid power LED

Driver
Sensor Ready, 0-10V dimming,
flicker-free from 10 to 100%.
voltage 110~277 Vac, 50/60Hz.

Emergency Driver Back-up (External)
Fulham LED Emergency Micro Inverter
(Provides 25 watts of back-up power.)

Mounting (Surface Standard & Stem Provided by Others)
Surface Mount to Jbox (Provided by Others)
Rigid Stem Ready, (Provided by Others)

Lens
High transmittance, impact resistant
polycarbonate

Rated >72,000+ hours at 70%
Lumen Maintenance (L70)

Wattage

L1 60W, L2 90W, L3 120W

Power Cord/Whip (Standard)
6ft, 5 conductor waterproof, 18 GA, 600V (120~277V)

IP66 Rating
Protected against strong jets of water.

Made in U.S.A.

Warranty

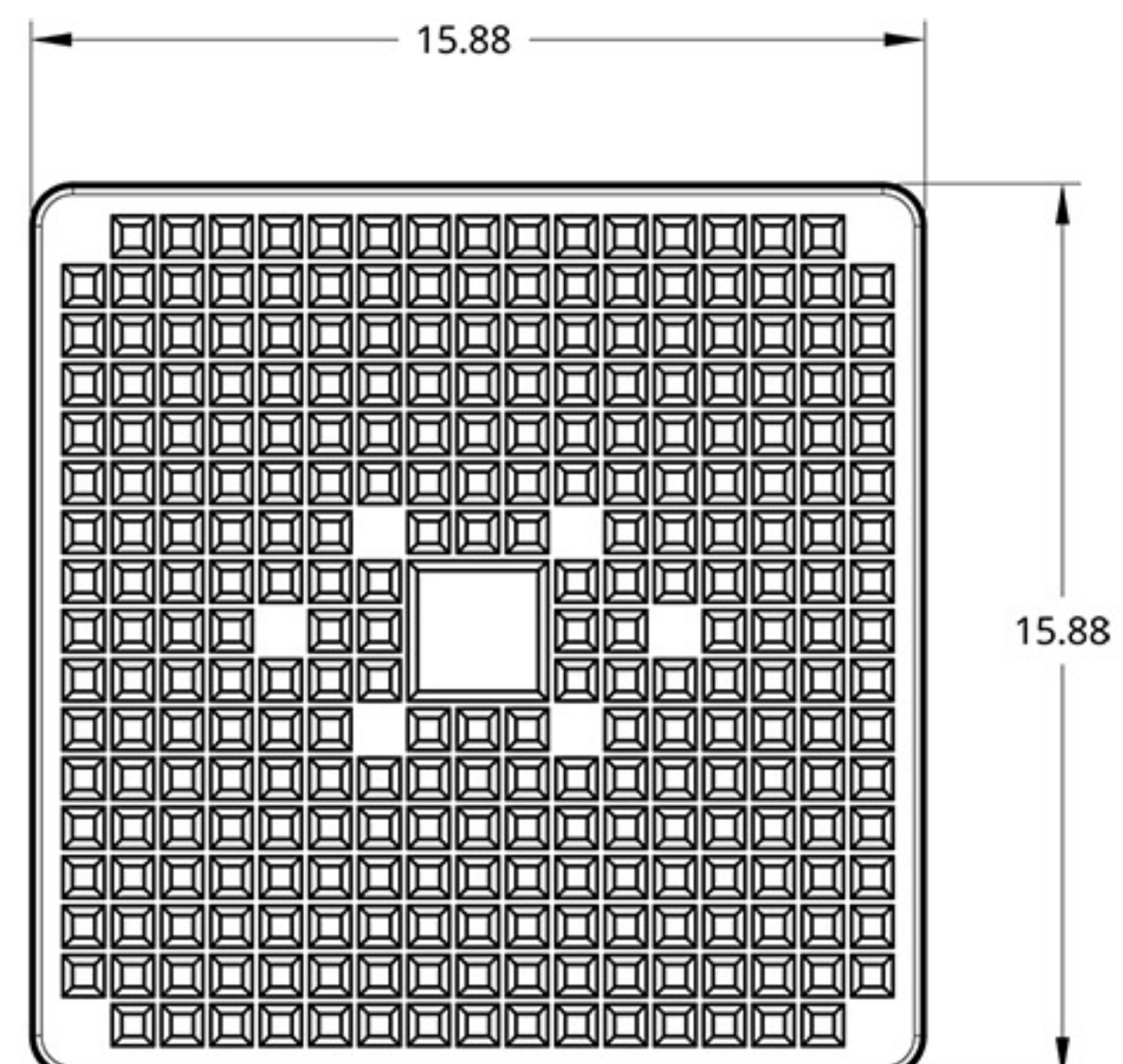
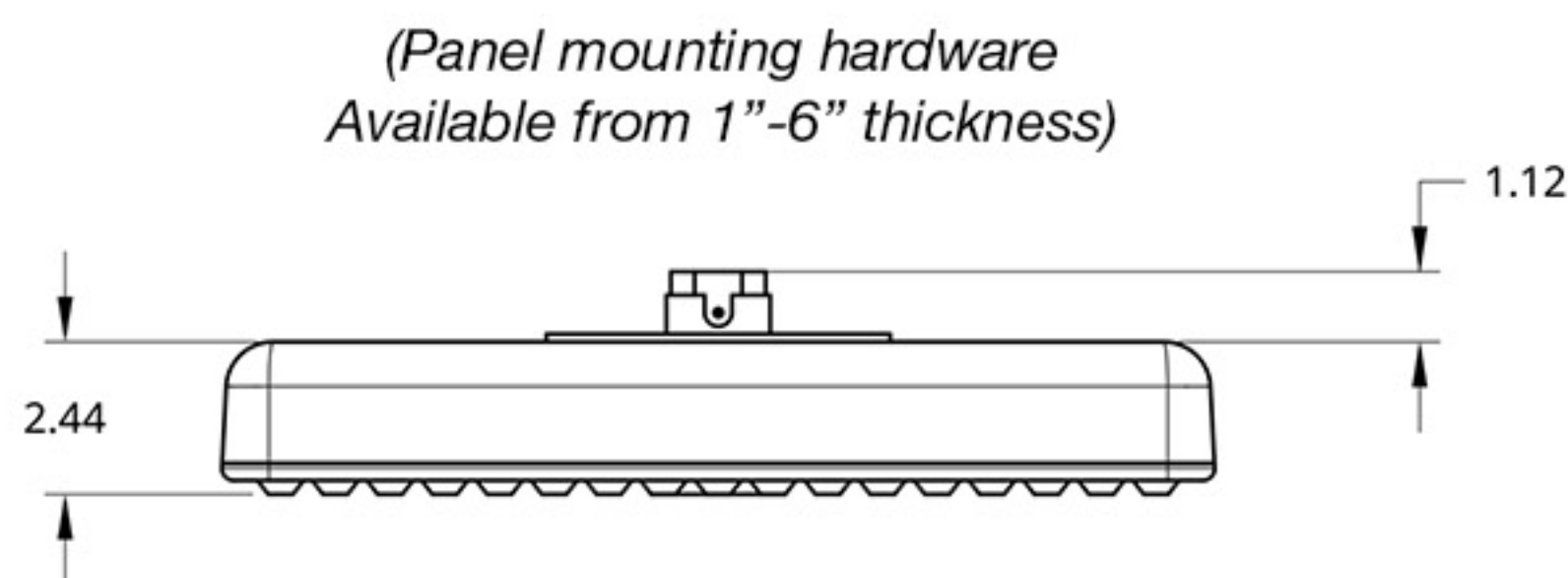
5-Year Limited Warranty – VCL Luminaire Only
5-Year Remote Mounted LED Emergency Micro Inverter
Complete warranty terms located at: www.visionengineering.com

Notes
1. Actual performance may differ as a result of end-user environment and application. 2. Visit www.visionengineering.com for the most up to date specs and additional information.



TECHNICAL DRAWINGS

VCL



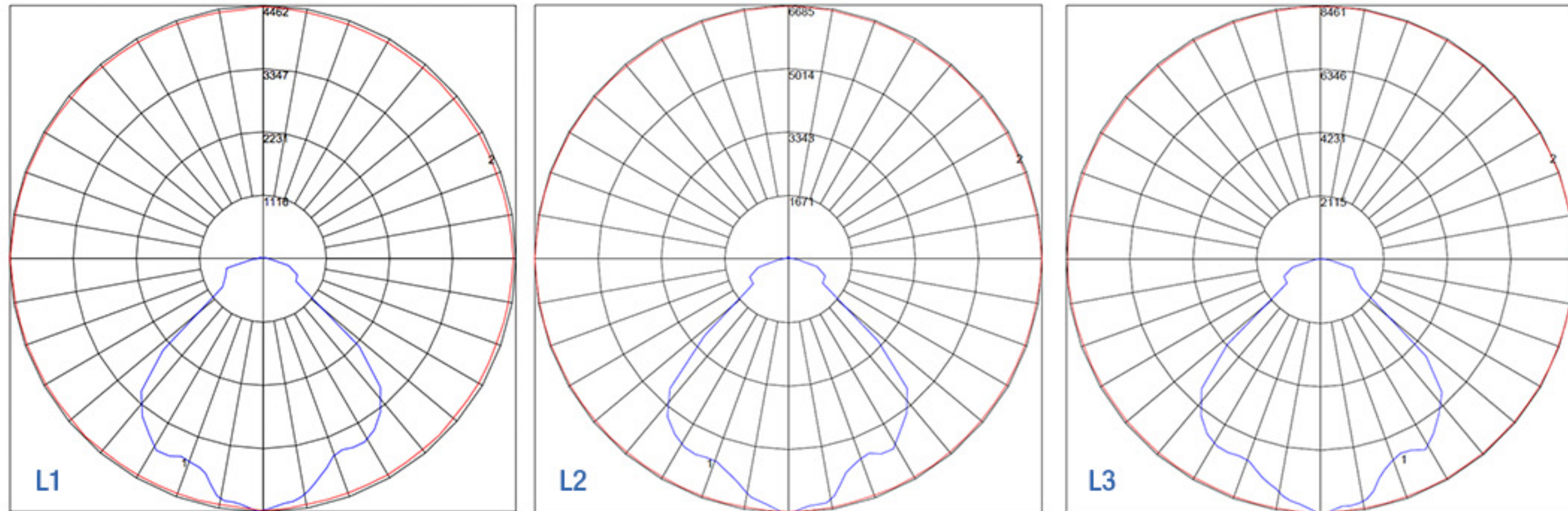
Dimensions

L 15.88" W 15.88" H 2.44"

Weight

9.78 lbs

PHOTOMETRICS



ORDERING

Project

Date

Type

Comments

Ordering Information



Example: VCL-L2-110D-40K-WH-ED-JBX-OC-MHUB2

A Series
VCL

B *Lumens Package

L1	10,023
L2	14,612
L3	19,049

C Optics

110D 110°

D CCT

40K	4000K
50K	5000K

E Color

WH White Standard

F Drivers (120-240v Standard driver)

N/A Not Applicable

ED Emergency Driver (External)
Multiply 25W x the LpW for each VCL lumen package.
Example: 25W x 145 LpW = 3,625 lumen output in back-up mode.

347V 347V-480V

G Mounting Hardware

N/A Not Applicable

JBX JBox Mounting Hardware

H Sensors

N/A Not Applicable

OC Occupancy Sensor

I MHUB2 (Conduit hub required for Hazardous Locations Applications)

N/A Not Applicable

MHUB2 Hazardous Location Application for Class 1, Div 2 compliance

*VCL Canopy Light Lumens Per Watt

Lumens Package	L1	L2	L3
Lumens Output	10,023	14,612	19,049
Efficacy (LPW)	166	164	165

*Actual lumens output may vary +/- 4% Tested @ 5000K